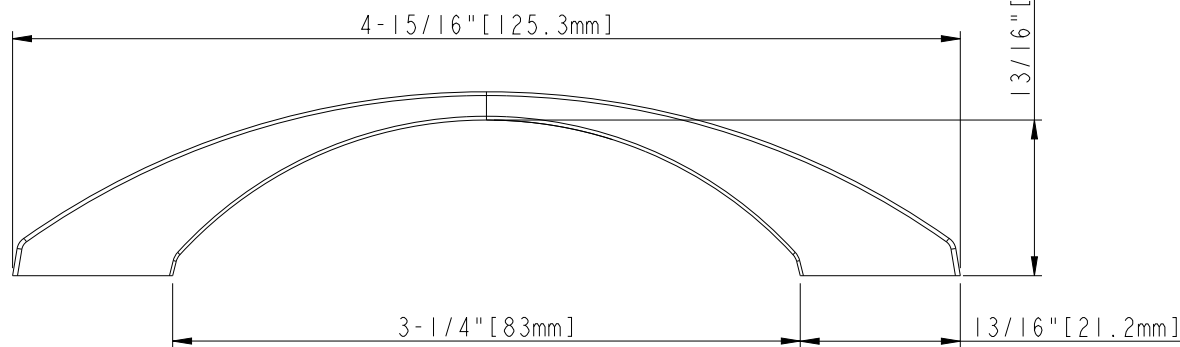


8-32 UNC -  $\nabla$  8mm

3-3/4" [96mm] CC

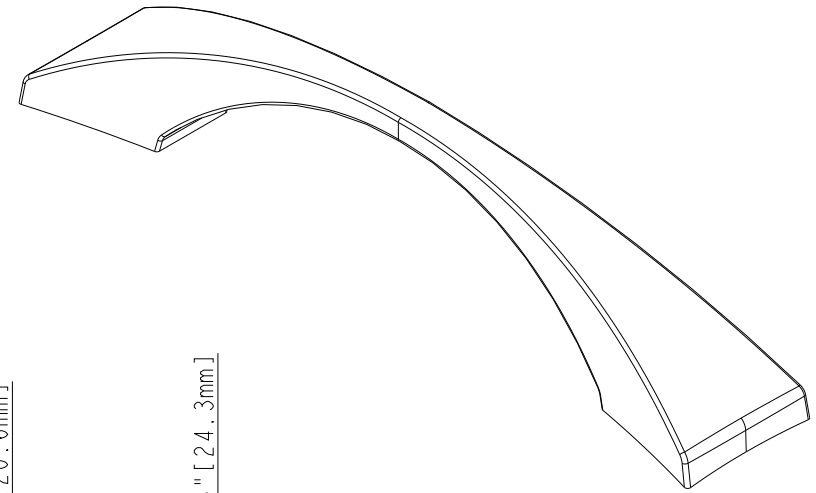


4-15/16" [125.3mm]

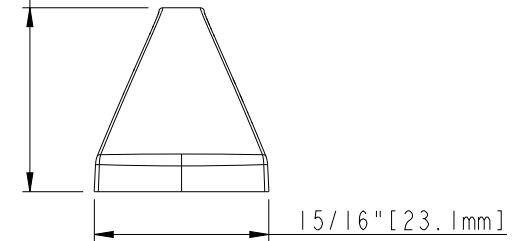
13/16" [20.6mm]

3-1/4" [83mm]

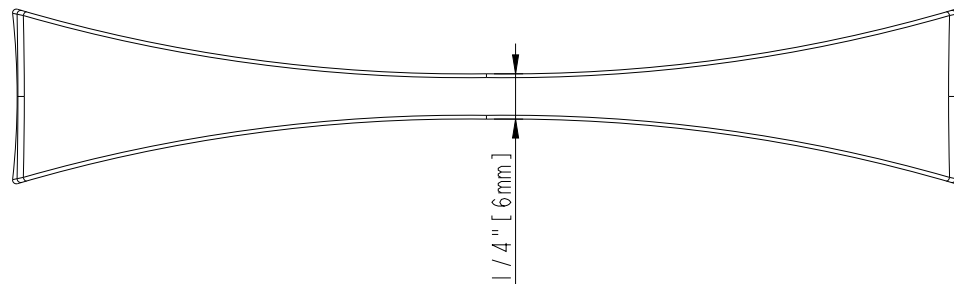
13/16" [21.2mm]



15/16" [24.3mm]



15/16" [23.1mm]



1/4" [6mm]

ACCESSORY:  
 SCREW: 8-32X1" 2PCS  
 BREAK AWAY SCREW: 8-32x45 2PCS  
 ALL SCREW MATERIAL: STEEL-SAE1006

	ITEM#: 525-96	MATERIAL: Zamak 3
	Finish:	WEIGHT: 57.4g/0.126lbs
PROPRIETARY AND CONFIDENTIAL THE INFORMATION CONTAINED IN THIS DRAWING IS THE SOLE PROPERTY OF HARDWARE RESOURCES INC. ANY REPRODUCTION IN PART OR AS A WHOLE WITHOUT THE WRITTEN PERMISSION OF HARDWARE RESOURCES INC. IS PROHIBITED.	UNITS: TOLERANCE UNLESS OTHERWISE SPECIFIED: X ±0.20 X.X ±0.10 X.XX ±0.05 ANGULAR: ±0.5°	PROJECTION: DRAWN BY: <b>Alexander.W</b> DATE: Dec-17-20 APPROVED BY: DATE: RELEASE LEVEL: REVISION:
DO NOT SCALE DRAWING	SHEET:	REVISION: